

SkyPlug Smart

Smart Plug & Play Controller For Light Fixtures

Specs:

SkyPlug - Weight Supporting Attachment Fitting (WSAF) – designed to mate with corresponding SkyOutlet Weight Supporting Ceiling Receptacle (WSCR) to provide electrical power and secure plug-in mounting for luminaires. SkyPlug Smart devices are designed to fit into luminaires for simple and safe ceiling installations.

Permitted by **NEC**
ANSI/NEMA WD 6-2021
UL498 UL1472



Light Color Changing Modes



Smart features

- App Control
- Voice Control
- Scheduling
- Eco - Energy Saving Mode
- Dimming
- Backup Light
- Ambiance Color Changing
- Night Light
- Power Meter
- Grouping Control Mode



Light Fixture
With Smart Controller

Features & Benefits:

Stainless steel 303 single push-pin actuation for quick release of luminaires.

Inner teeth allow for 360 degree alignment and locking position on SkyOutlet.

Screw-Based wire termination for maximum conductivity and wire retention.

1/2-20 threaded rod for securing luminaires.

Slotted/phillips combo screws for flexibility in field.

For AC fixtures only.

Not for use with dimmer switches.

Smart Controller E506538.

Brass electrical contact rings with Nickel plating to provide corrosion resistance protection.

Wire terminal, accepts No.18 & No.20 AWG stranded wire.

Suitable for Luminaire support Max. 50 lbs.

Double locking mechanism.

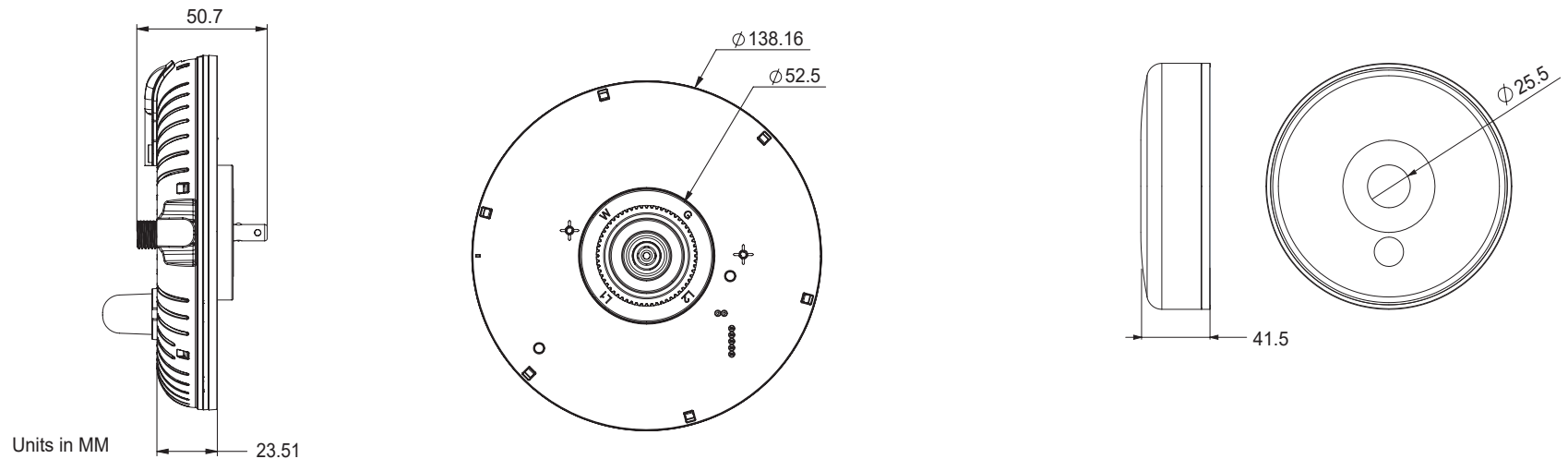
Tested to 200 lbs static load.

Smart features include phone control, voice control, dimming, scheduling, RGB changing ring light, back up white.

“emergency” light.

Smart Plug UL File #E306210.

5 Year Warranty.



“Mating System” - Must use in combination with compatible SkyOutlet mounting support

“Smart Canopy” - Center hole diameter minimum 25.5mm Height minimum 41.5mm

Commercial Applications

Residential Home Builder
Property Development / Multi-tenant
Hospitality
Retail

Code

NEC 2017, Article 314.27, recognizes new technology designed to power and support luminaires from a receptacle and mounting means located in or mounted directly to the box

Model	Description	Electrical Ratings	# Rings	Mating SkyOutlet
0252	Smart Controller	120V, 2A, 240W, 1A LED	3-L1 Live, Neutral, Ground	SR-3L, SR-4L, SR-4F