

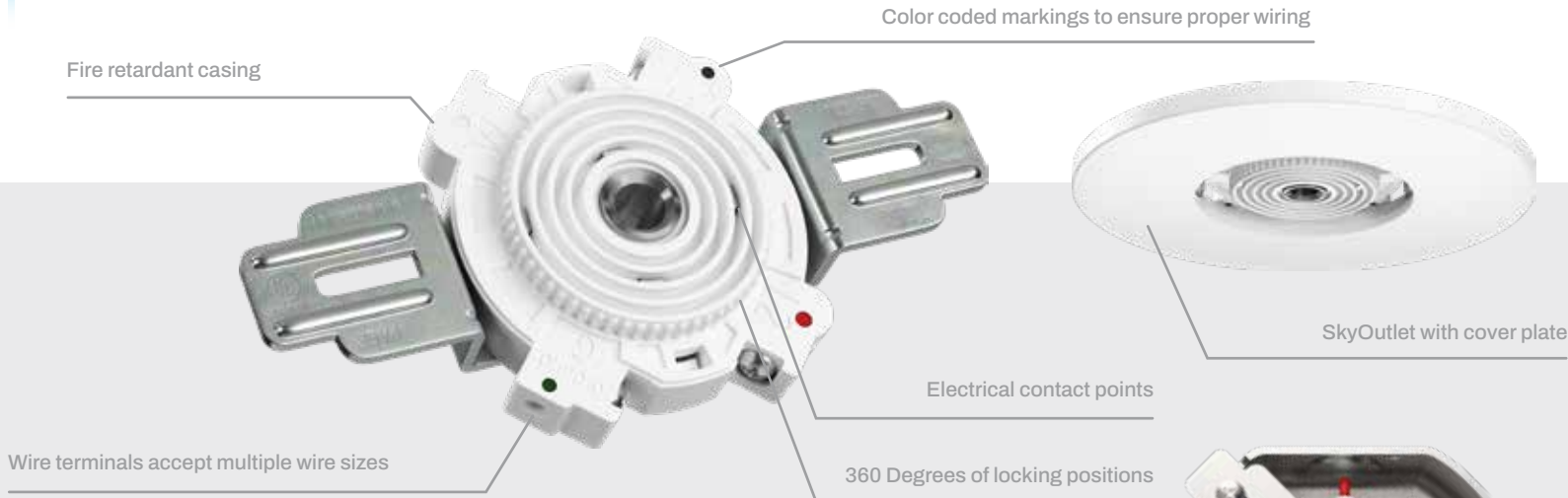
SkyOutlet

Weight Supporting Ceiling Receptacle

Specs:

SkyOutlet - Weight Supporting Ceiling Receptacle (WSCR) - designed to mate with SkyPlug Weight Supporting Attachment Fitting (WSAF) to provide electrical power and secure mounting for luminaires and other electrical equipment.

Permitted by **NEC**
ANSI/NEMA WD 6-2021
UL498



Commercial Applications

Residential Home Builder
Property Development / Multi-tenant
Hospitality
Retail

Code

NEC 2017, Article 314.27, recognizes new technology designed to power and support luminaires from a receptacle and mounting means located in or mounted directly to the box

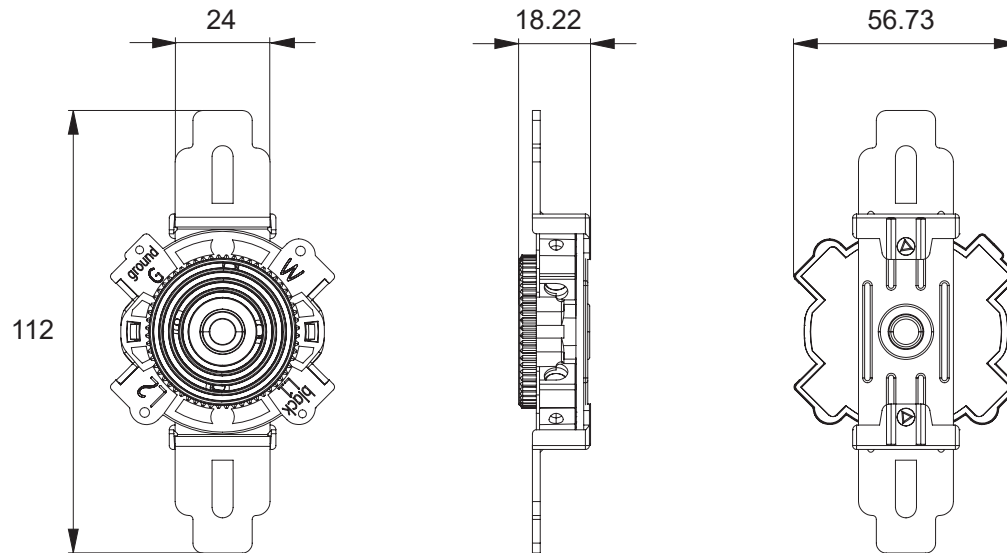


Mounted in Junction Box

Features & Benefits:

Easy-to-install Code compliant mounting & coupling system.
 Visual color-coding aid on SkyOutlet to ensure proper wiring connection.
 Low-profile for maximum wiring room in junction box, Min. size 4" x ½" outlet box.
 Meets UL 498 and CSA C22.2 No 42 Finger-Probe safety requirements.
 Flame Retardent Casing Rated at 130 degrees C.
 Accepts No. 12 and No. 14 AWG solid wire.
 Side-wire terminal with screw taps for maximum conductivity and wire retention.

Electrical contact points are copper coated with Nickel plating for corrosion-resistance and wear protection.
 Certified for Luminaire Support 50 Lbs. Max.
 Meets UL 514A Fixture/Luminaire Studs pull test with 200lb static load.
 UL / cUL Listed (File # E256356)
 CE Certified.
 Compliant with 2017 NEC, Article 314.27, 422.33, Article 100 definition.
 Limited Lifetime Warranty.



Units in MM

"Mating System"- Must use in combination with compatible SkyOutlet mounting support

| Model | Description | Electrical Ratings | Contacts | Contact Description |
|-------|-------------|--------------------|----------|-------------------------|
| SR-3L | Receptacle | 125 Vac, 15A | 3 | L1, L2, Neutral, Ground |